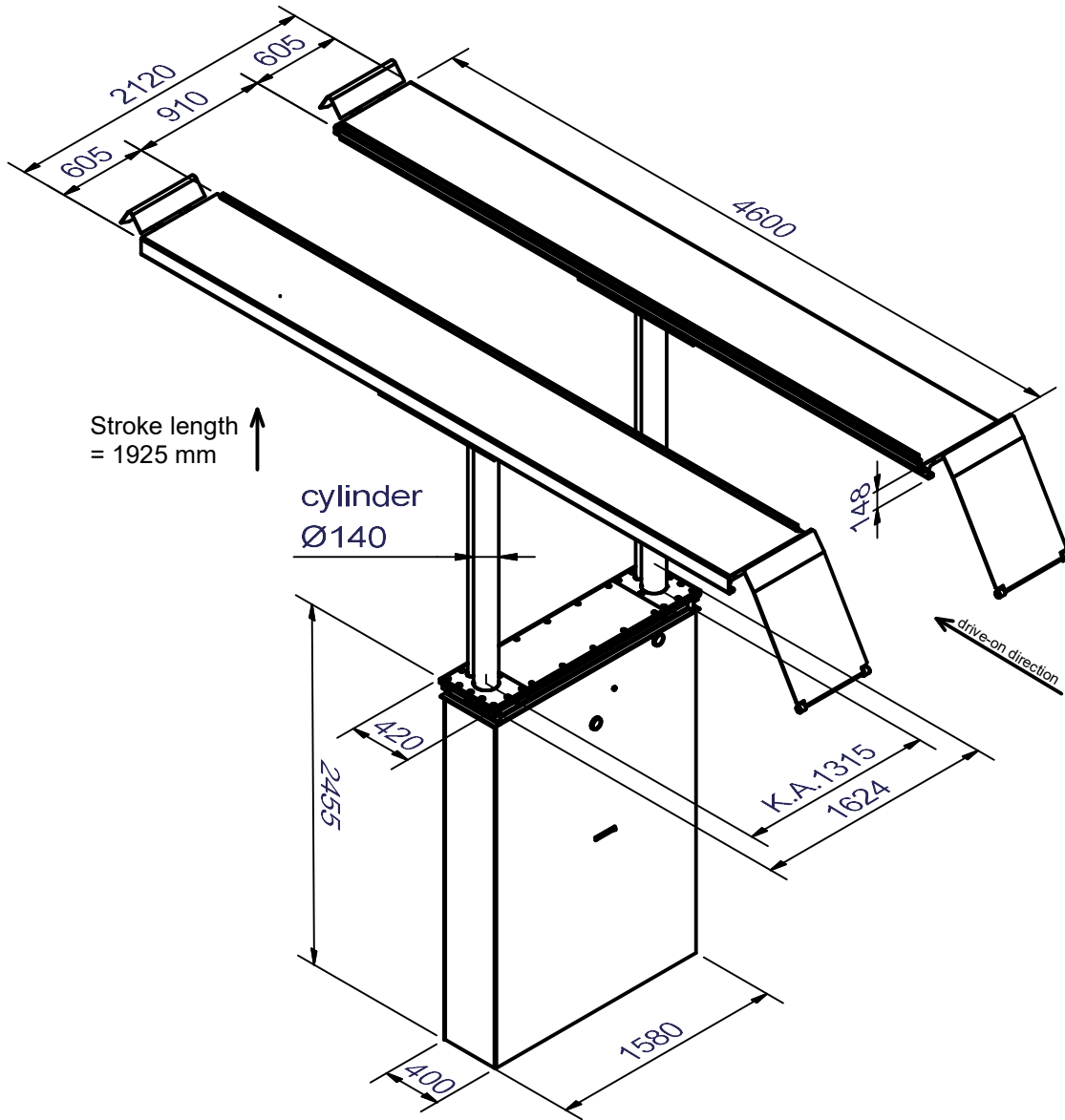


Profilift 2.40 F 460

unilateral drive-on ramps,
unilateral stoppers



Dimension sketch incl. specifications of level for drive-over height.

Constructional changes are subject to modifications * date 02 november, 2021